

PRODUCT SPECIFICATION

Model No.: COSMIC-1WWJE-1

Features:

- High-Power LED Type
- Size (mm): $\Phi 6 \times 5.1$
- Emitting Color: Warm White
- SMT package
- RoHS Compliant



Applications:

- Decorative lighting
- Architectural lighting
- Interior automotive
- Illuminations



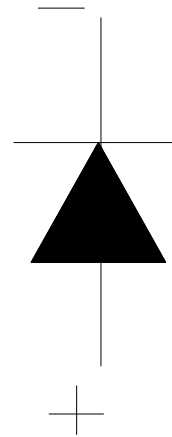
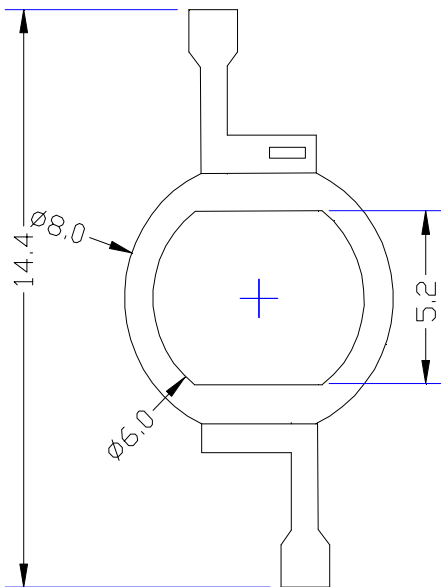
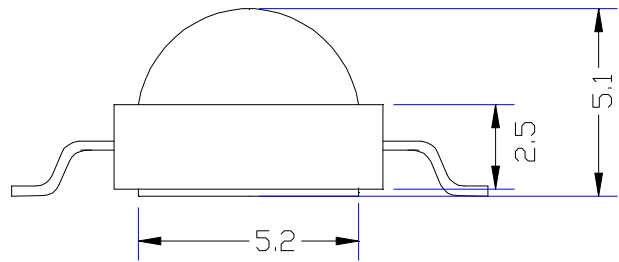
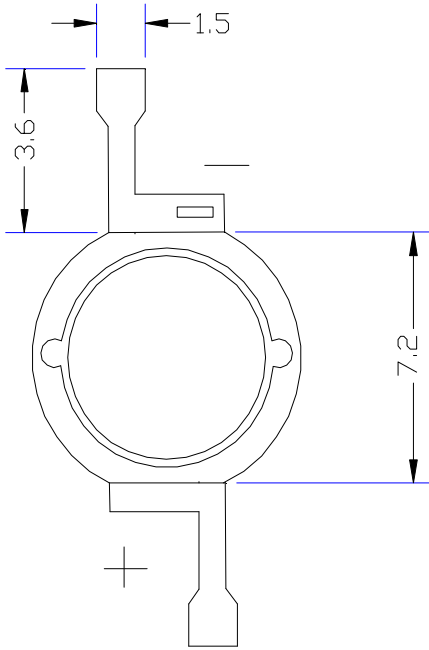
005

CUSTOMER APPROVED SIGNATURES	APPROVED BY	CHECKED BY	PREPARED BY

Model. No.	COSMIC-1WWJE-1
Rev.	A

Model No.: COSMIC-1WWJE-1

■ Mechanical Dimensions



Model No.: COSMIC-1WWJE-1

■ Absolute Maximun Ratings(Ta=25° C)

Items	Symbol	Absolute maximum Rating	Unit
Forward Current(DC)	IF	350	mA
Peak Forward Current*	IFP	500	mA
Power Dissipation	PD	1000	Mw
Operation Temperature	Topr	-40° C+85° C	°C
Storage Temperature	Tstg	-40°C+100°C	°C
Reverse Voltage	VR	5	V

*Pulse width \leq 1msec duty \leq 1/10

■ Typical Electrical &Optical Charcteristics(Ta=25°C)

Items	Symbol	Condition	Min.	Typ.	Max	Unit
Forward Voltage	VF	IF = 350mA	3.2	---	3.4	V
Reverse Current	IR	VR = 5V			5	uA
Chromatic Coordinates	(X,Y)	IF = 350mA	---	(0.45,0.41)	---	---
Color Temperature	CCT	IF = 350mA	3000		3200	K
Luminous Flux	Φ_V	IF = 350mA	---	120	---	LM
50% Power Angle	2 $\theta_{1/2}$	IF = 350mA	---	120	---	Deg

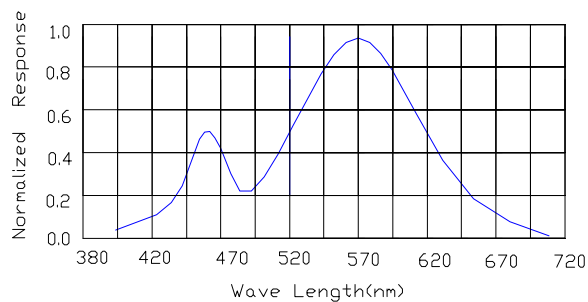
■ Material

Item	Reflector	Wire	Encapsulate	Chip
Material	PPA	Gold	Silicone	InGaN

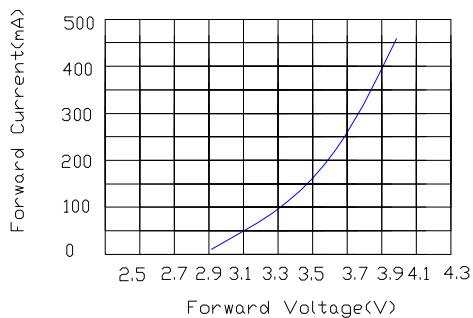
Model No.: COSMIC-1WWJE-1

Typical Eletrical/Optical Characteristics Curves(Ta=25° C Unless Otherwise Noted)

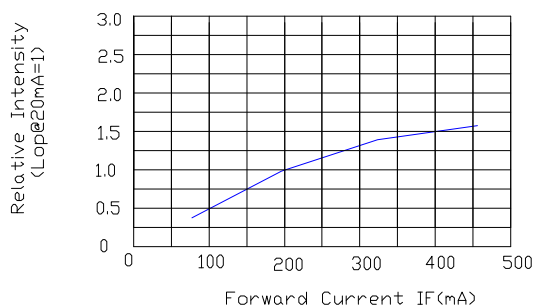
Spectral Reduance



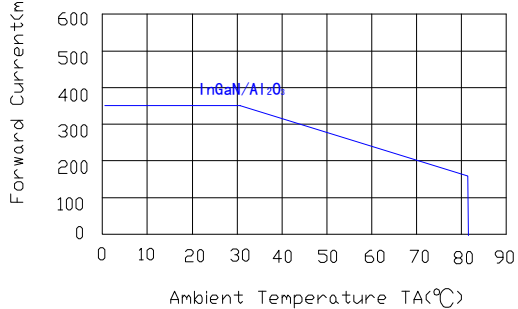
Forward Current Vs Forward Voltage



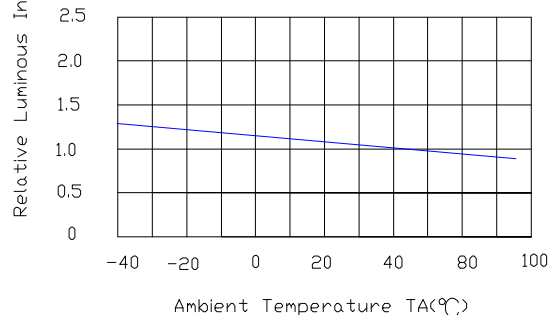
Relative Luminous intensity vs Forward current



Forward Current Derating Curve



Luminous Intensity Vs. Ambient Temperature



Radiation pattern.

